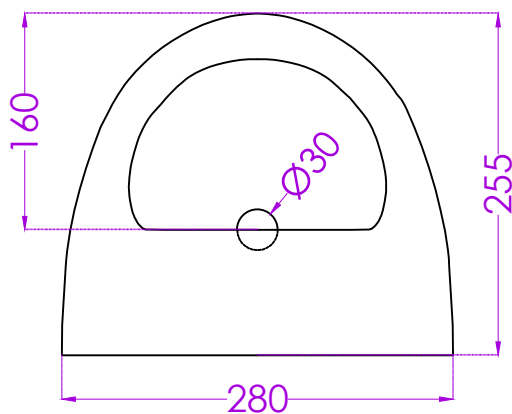
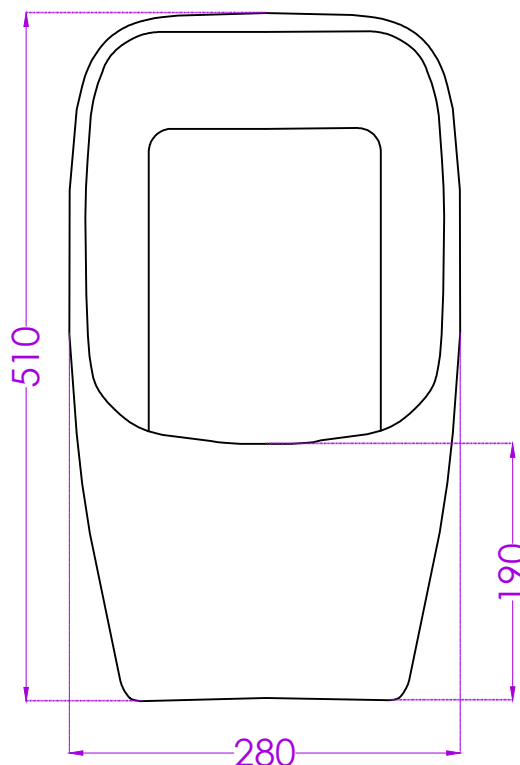


ARCHI P4319PW0704 URINAL

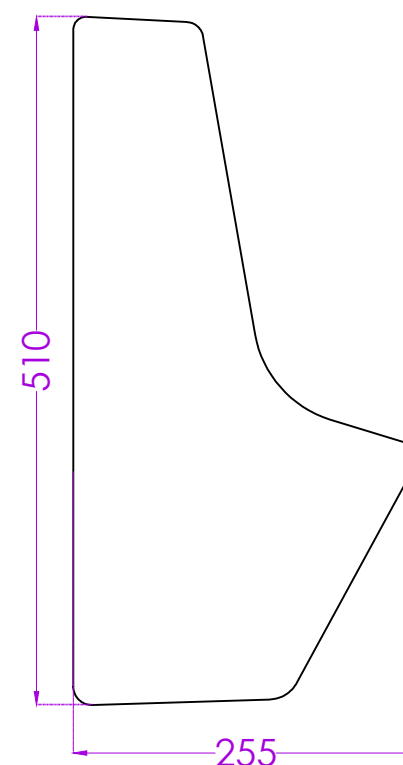
JOHNSON



PLAN



FRONT



SIDE